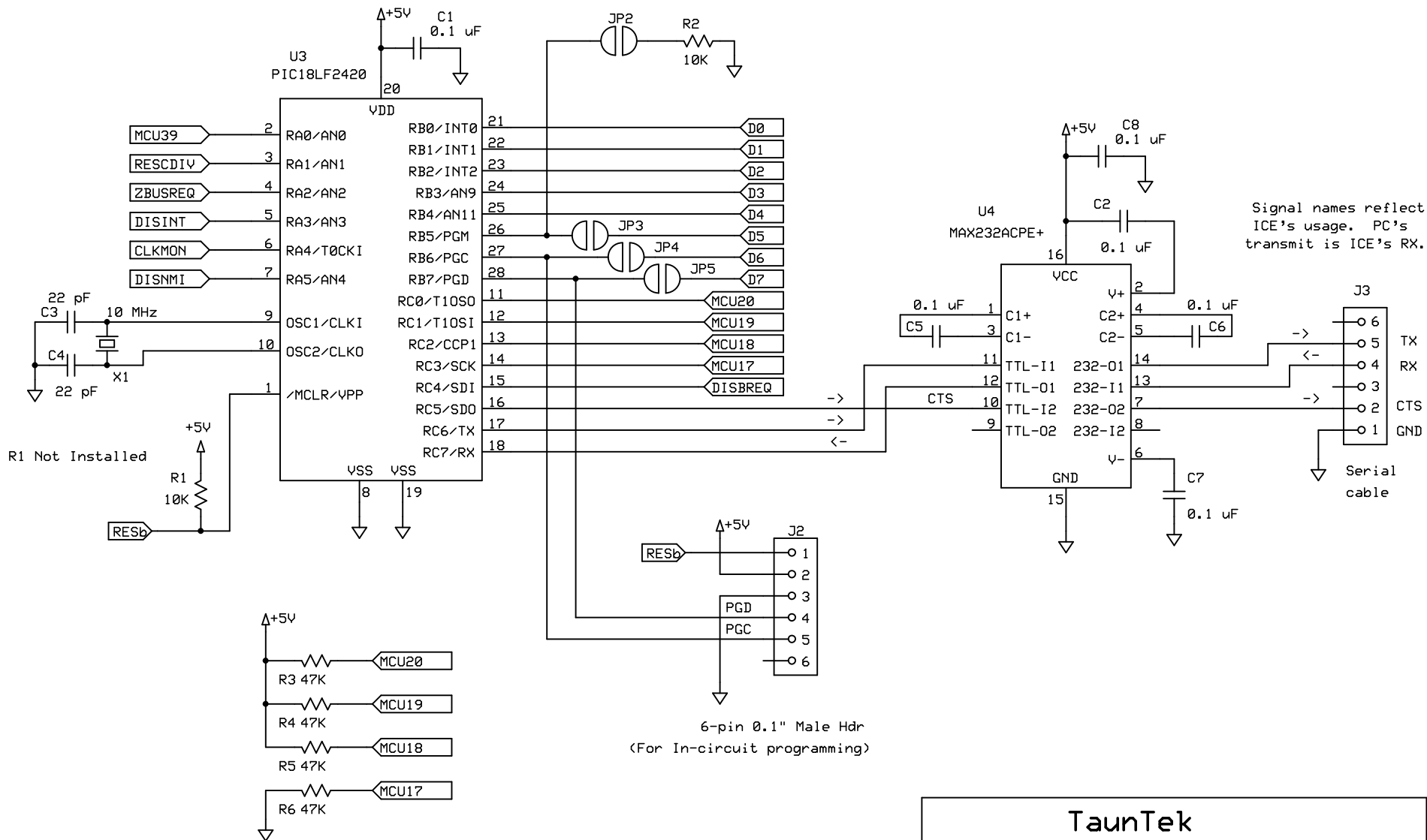


R2 Not Installed



Signal names reflect ICE's usage. PC's transmit is ICE's RX.

6-pin 0.1" Male Hdr
(For In-circuit programming)

TaunTek		
280 Debug ICE		
R Grieb	Rev 1.1 11/28/2008	Page 2 of 2

JP3, JP4, and JP5 shorted for normal operation.