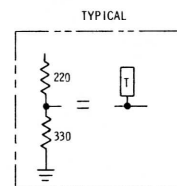
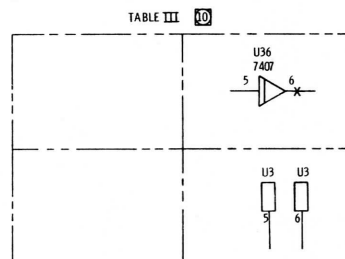


REVISIONS				
REV	DESCRIPTION	DATE	DR	CHK
A	ERN 200-NB FOR PROD RELEASE	5-17-74	MM	MM
B	ECN 30440	5-17-74	MM	MM
C	ERN 200-HM PROD REL	5-17-74	EE	EE
D	ECN 30477	5-26-74	RJ	RJ
E	ECN 30482	6-3-74	CA	CA
F	ECN 30513	8-11-74	RJ	RJ
G	ECN 30521	10-10-74	MM	MM
H	ECN 9119	11-20-74	MM	MM
I	ECN 9640	12-10-74	MM	MM

PART NO.	REFERENCE DESIGNATION
100-1015	R27, 28, 74
100-1025	R2, 8, 20, 21, 22, 26, 33, 36, 40, 50, 57, 73, 88, 89, 116
100-1035	R65, 66, 77, 95, 99
100-1045	R70, 71
100-1055	R105
100-1215	R16
100-1515	R15, 59, 61 103, 106, 108
100-1525	R4
100-1535	R23
100-1815	R14, 17, 114
100-1825	R7
100-2215	R30, 32, 47, 49, 112, 113
100-2225	R79, 80, 82, 85, 87
100-2235	R6, 63, 64, 69, 5
100-2715	R19
100-2725	R31, 34
100-2735	R67
100-2745	R52
100-4705	R10, 68
100-4715	R3, 41, 42, 43, 44, 81
100-4725	R29, 53
100-4735	R97, 100
100-4745	R51
100-6805	R60, 62, 104, 107, 109
100-6815	R 84, 86
100-6825	R54, 78, 83, 55
100-8215	R9, 24, 58
100-8225	R96, 98
101-1015	R76
101-1215	R75, 110, 111
101-1525	R90
101-1825	R93, 94
101-2225	R18
101-2725	R13
103-1015	R11, 12
104-1621	R92
104-2152	R37
104-2871	R56
104-5621	R35
104-6191	R1, 91
121-2020	R39, 48
121-2030	R25, 38
123-5020	R115
130-1015	C15, 19
130-3315	C27
130-4705	C16
130-4715	C42
130-5615	C2, 36
130-7515	C34
131-1030	C21, 44, 46
131-1520	C50

PART NO.	REFERENCE DESIGNATION
139-1020	C12, 20, 23, 29, 38
139-1055	C13, 17, 18, 22, 43
139-1045	C1
139-2244	C4, 6, 9, 10, 11, 24, 25, 26, 28, 30, 31, 40, 41, 47, 48, 49
139-2262	C8
139-4751	C14, 37
139-4755	C7, 32, 33, 39
139-4762	C5, 3
200-1100	Q18, 19
200-1120	Q20, 21
200-4123	Q1, 2, 3, 4, 5, 6, 11, 15
200-4125	Q8, 9, 10, 12, 13, 14, 16
200-5321	Q22
300-4002	CR3, 4, 18, 21, 22, 23
300-4446	CR1, 2, 5, 6, 7, 8, 9, 10, 11, 12, 13, 14, 15, 16, 17
330-0515	VR2
330-0685	VR5
331-0935	VR3, 4
331-1605	VR1
400-0555	U27, 29
400-0592	U25, 34
400-5558	U41
515-1015	L1, 2, 5, 6
515-2405	L3, 4
700-4107	U23, 24, 33
700-4123	U13
700-4221	U5, 18, 37
700-5452	U30
700-7400	U7, 16, 19, 38
700-7402	U10, 11, 12, 32
700-7404	U14, 15, 31
700-7406	U35
700-7407	U36
700-7410	U20
700-7414	U28
700-7416	U40
700-7419	U21
700-7438	U1, 8, 9
700-7450	U39
700-7474	U6
700-7476	U22, 26
700-8020	U17

ASSEMBLY VERSION NUMBER	VERSION CHARACTERISTIC	Q7	R45		R46	R101	R102	C45	CR19	Q17
			204-3993	VALUE						
600266-01	SINGLE DENSITY	OMIT	IK	100-1025	OMIT	USE	USE	USE	USE	USE
600266-02	SINGLE/DOUBLE DENSITY	USE	2.2K	100-2225	USE	USE	USE	USE	USE	USE
600266-03	SINGLE/DOUBLE DENSITY (-12V -15V)	USE	2.2K	100-2225	USE	OMIT	OMIT	OMIT	OMIT	OMIT
600266-04	SINGLE/DOUBLE DENSITY (-5V)	USE	2.2K	100-2225	USE	OMIT	OMIT	OMIT	OMIT	OMIT



LAST USED	NOT USED	DELETED
C50	C35	
CR23	CR20	
L6		
Q22		
R116	R72	
TP17		
U41		
VR5		
W40	W35	

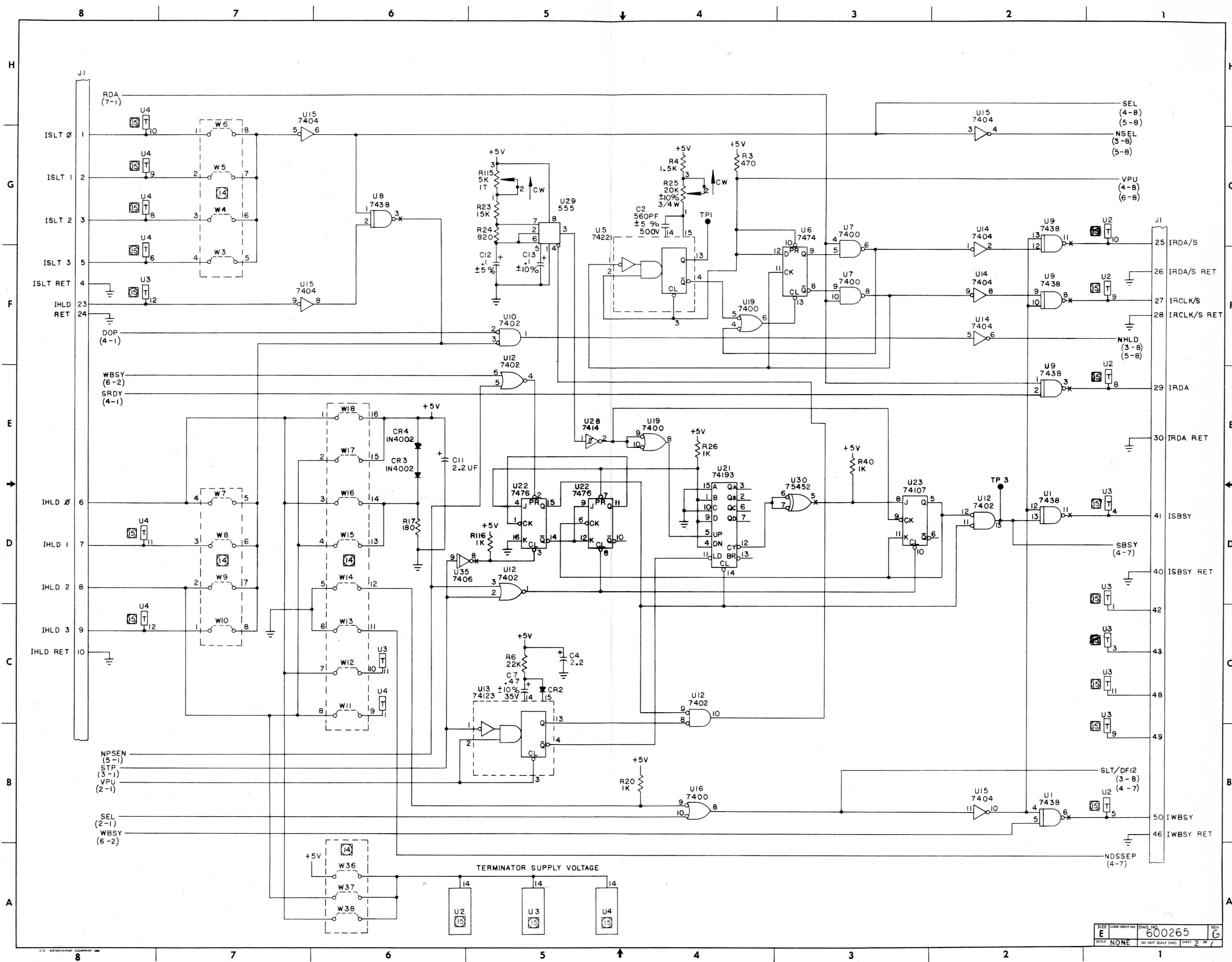
TABLE IV (12)

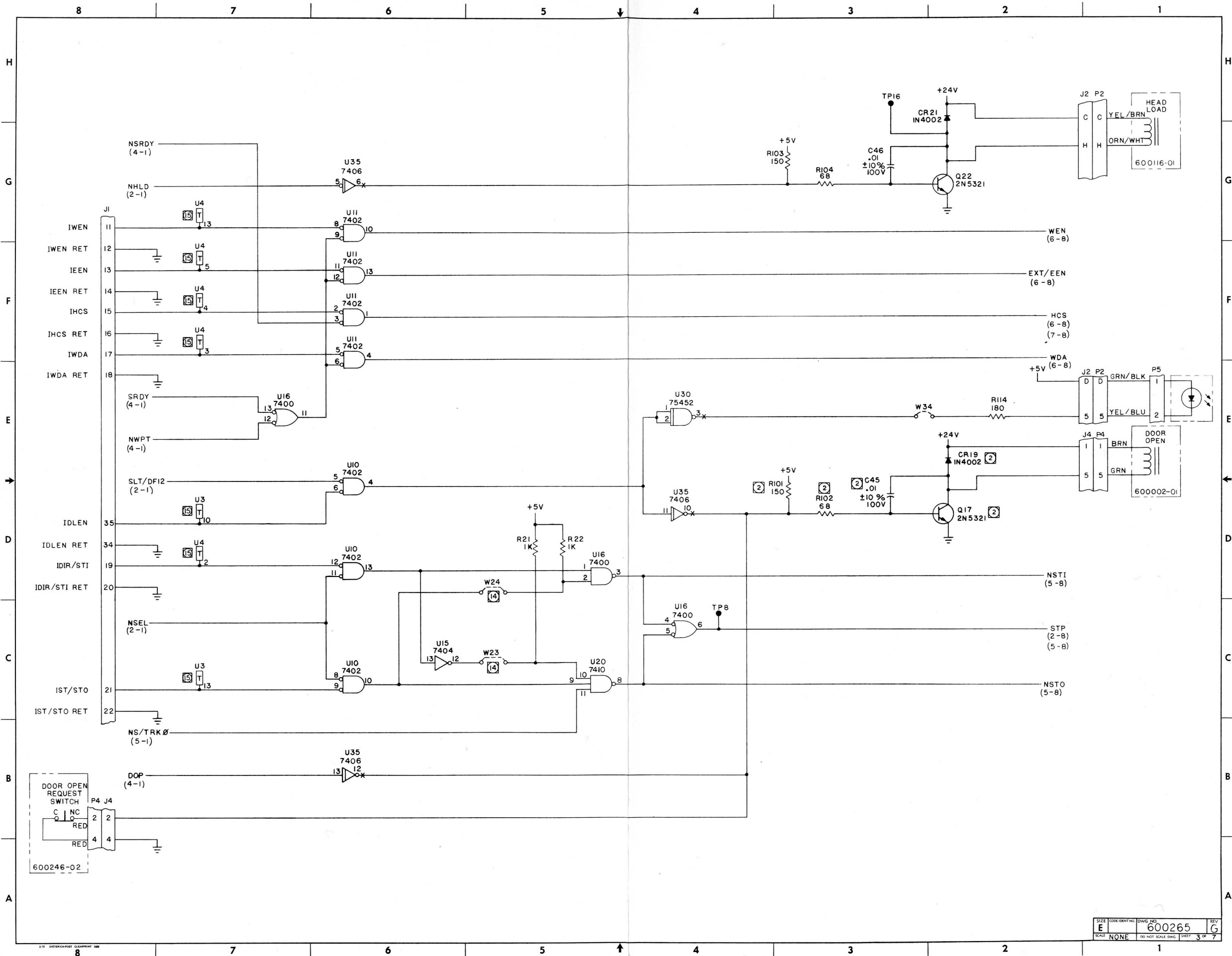
DRIVE POSITION	INTERFACE SELECTION		
	ISLT	IHLD	TRDY
1	Ø = W6	Ø = W7	Ø = W22
2	1 = W5	1 = W8	1 = W21
3	2 = W4	2 = W9	2 = W20
4	3 = W3	3 = W10	3 = W19

- 15. U2, U3 AND U4 ARE PART NO. 120-0001 WHEN INSTALLED.
 - 14. W1 THRU W40 ARE PART NO. 100-0005. THE USAGE OF THESE JUMPERS WILL BE DETERMINED AT THE TOP ASSEMBLY LEVEL.
 - 13. LOGIC GROUND IS DENOTED BY SYMBOL. ANALOG GROUND IS DENOTED BY SYMBOL.
 - 12. THIS PCBA IS CONFIGURED TO RESPOND TO COMMANDS SELECTED FOR DRIVE POSITION NUMBER 1. TO CONFIGURE FOR OTHER POSITIONS SEE TABLE IV FOR JUMPER REQUIREMENTS.
 - 11. SIGNALS ARE CROSS-REFERENCED BETWEEN SHEETS AND WITHIN A SHEET BY NUMBERS APPEARING UNDER THE ASSOCIATED LOGIC TERM MNEMONIC. THE FIRST NO. IS THE SHEET NO. AND THE SECOND NO. IS THE ZONE NO.
 - 10. FOR SPARE LOGIC ELEMENTS, SEE TABLE III.
 - 9. PIN 7 OF 14 PIN I.C.'S IS LOGIC GROUND. PIN 14 OF 14 PIN I.C.'S IS +5V. PIN 13 OF 7476 IS LOGIC GROUND. PIN 5 OF 7476 IS +5V. PIN 8 OF 16 PIN I.C.'S IS LOGIC GROUND. PIN 16 OF 16 PIN I.C.'S IS +5V.
 - 8. DIODES ARE 1N4446.
 - 7. PNP TRANSISTORS ARE 2N4125
 - 6. NPN TRANSISTORS ARE 2N4123
 - 5. CAPACITOR VALUES ARE IN MICROFARADS, 20%, 20V.
 - 4. RESISTOR VALUES ARE IN OHMS, 5%, 1/4W.
 - 3. (RESERVED).
 - 2. FOR VALUE, PART NUMBER AND USAGE OF COMPONENTS AFFECTED BY VERSION NUMBER SEE TABLE II.
 - 1. FOR PART NUMBER OF COMPONENTS NOT AFFECTED BY VERSION NO. SEE TABLE I.
- NOTES UNLESS OTHERWISE SPECIFIED
- ASSEMBLY NO. 600266
SPECIFICATION 600269
REFERENCE DRAWINGS

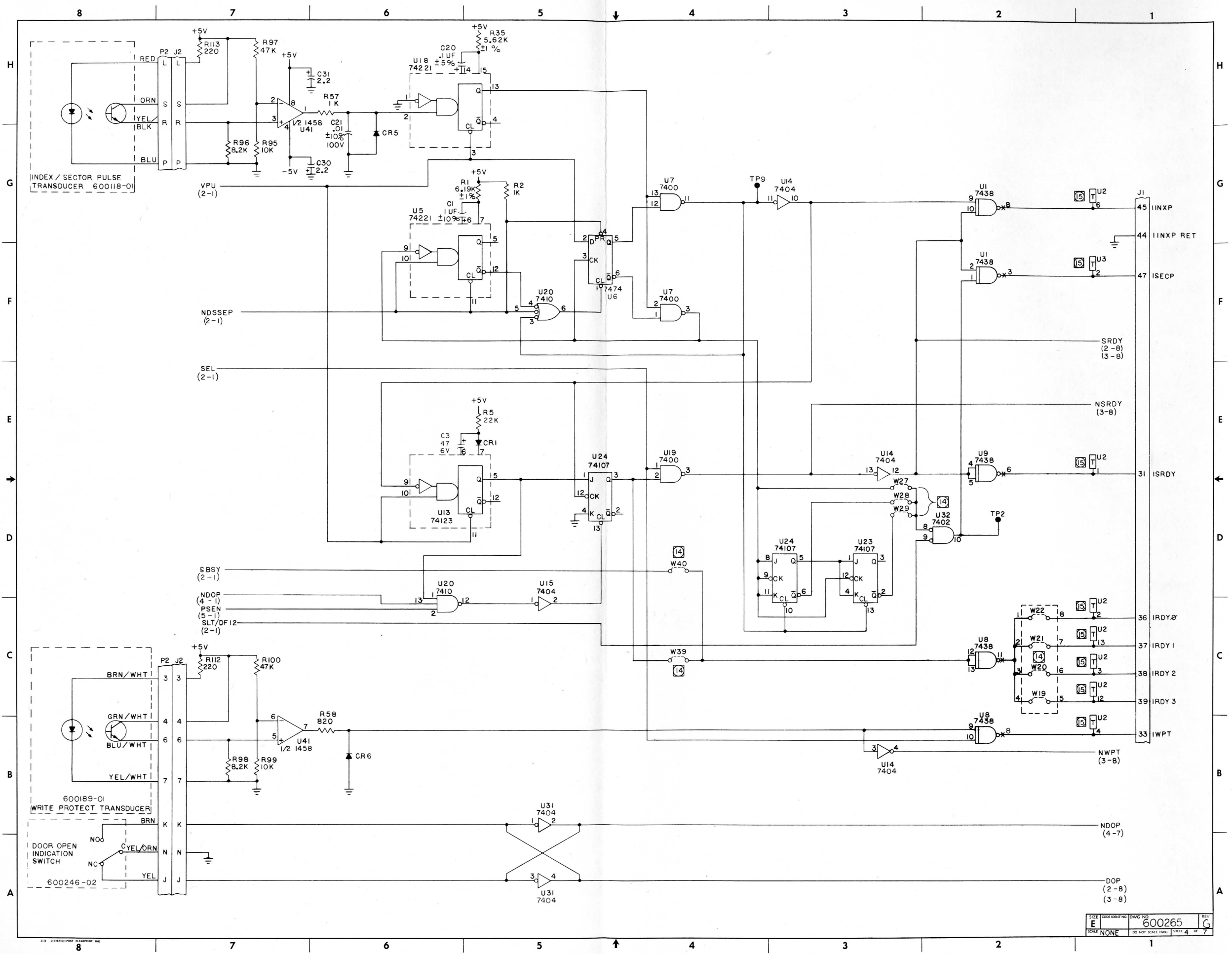
SIGNATURES		DATE	PERTEC PERIPHERAL EQUIPMENT
DR. M. Martinez		12/7/74	
TITLE		SCHEMATIC F D BASIC II A	
SIZE		600265	REV G
SCALE		NONE	SHEET 1 OF 7

600265 G

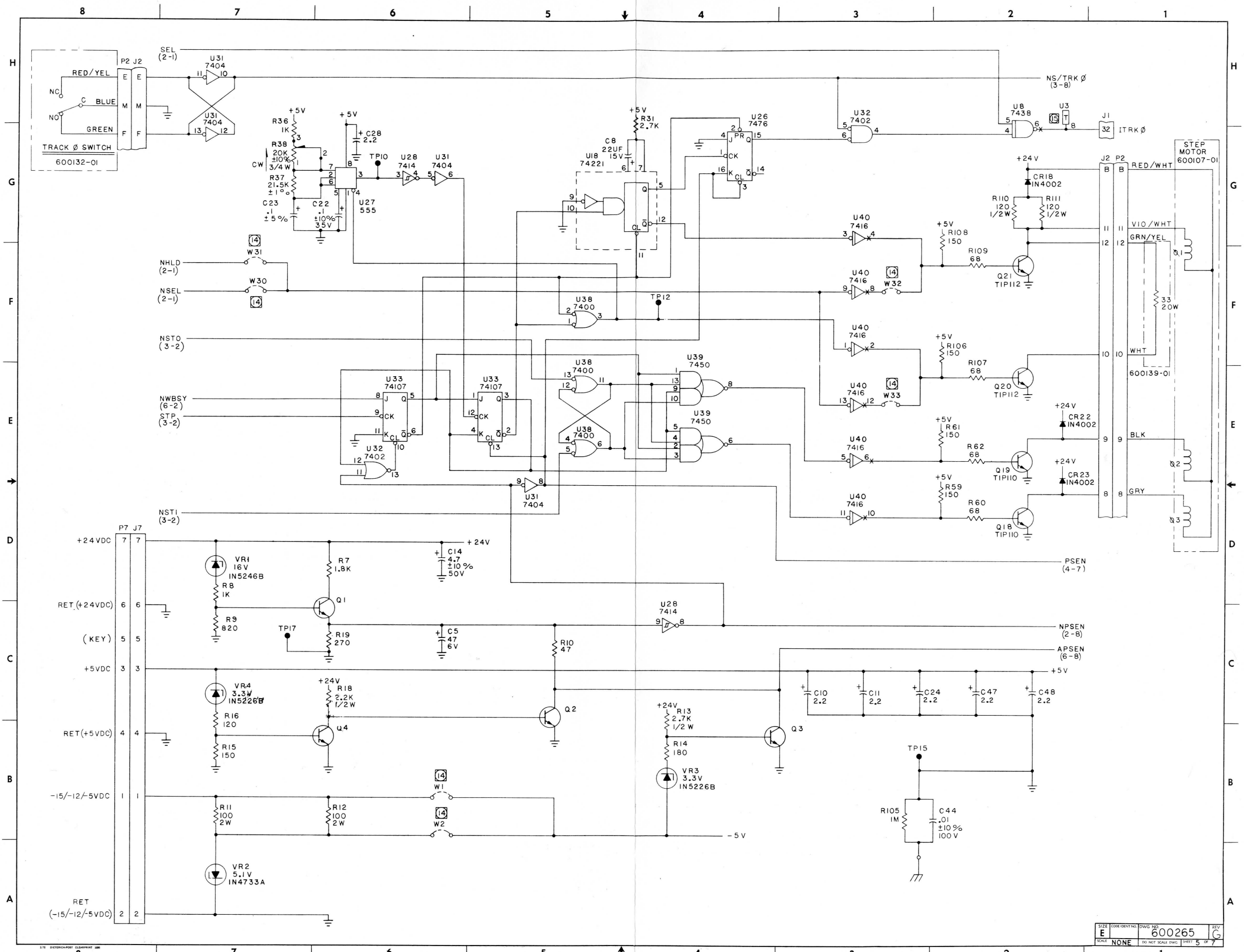




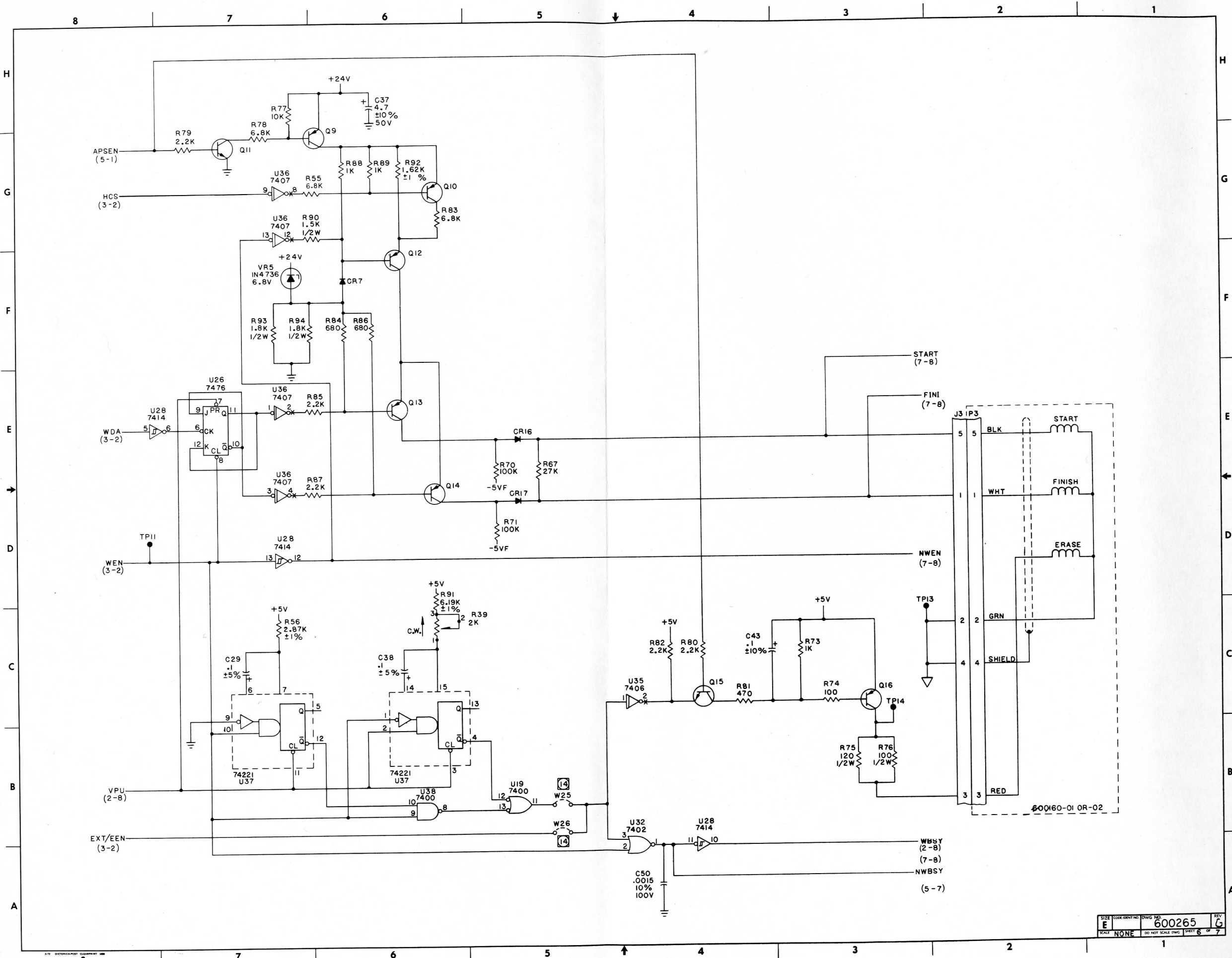
SIZE	CODE IDENT NO	DWG NO	REV
E	NONE	600265	G
SCALE	DO NOT SCALE DWG		SHEET 3 OF 7



SIZE	CODE IDENTIFY NO.	DWG. NO.	REV.
E	NONE	600265	G
DO NOT SCALE DWG.		SHEET 4 OF 7	

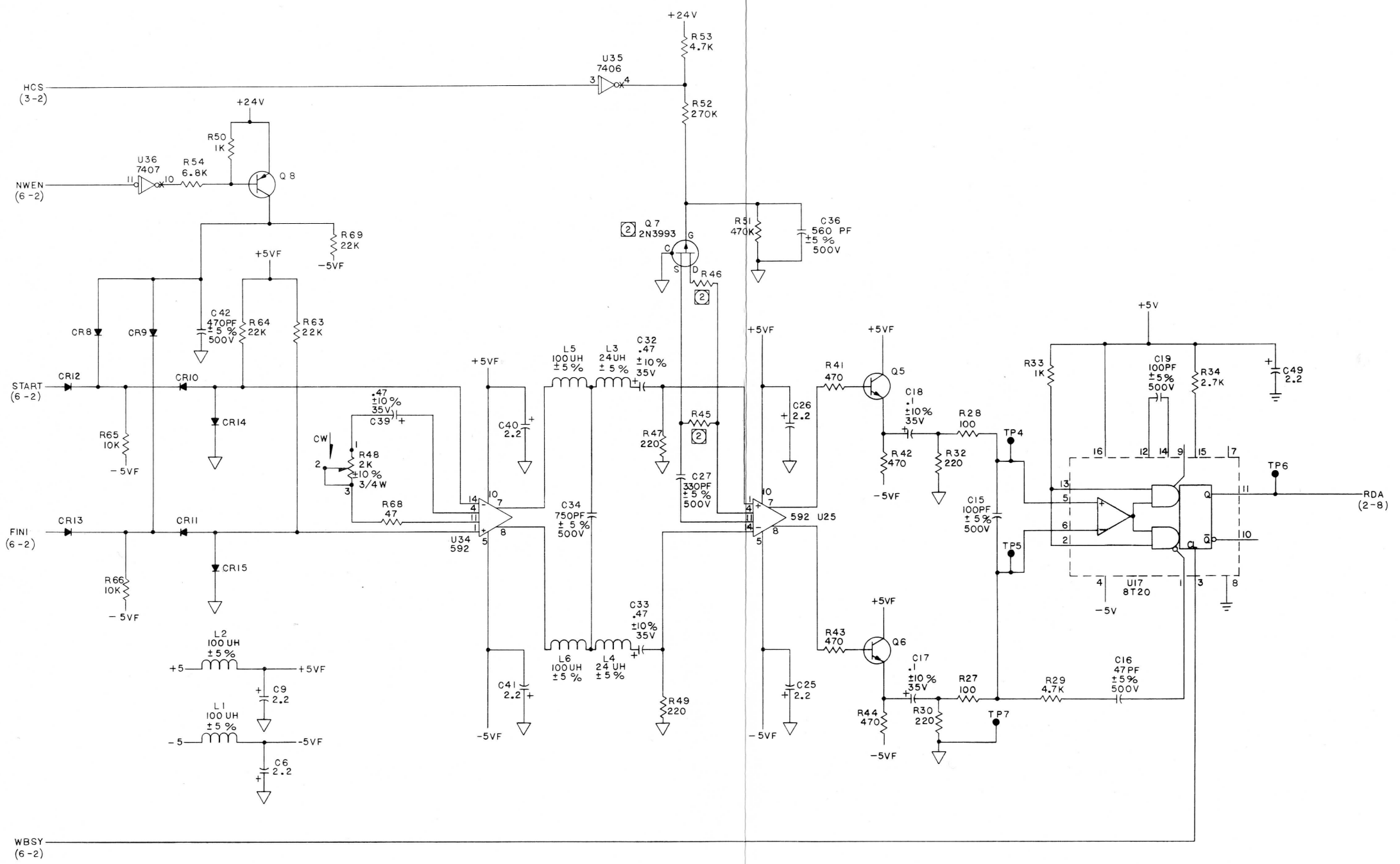


SIZE	CODE IDENT NO	DWG NO	REV
E		600265	G
SCALE	NONE	DO NOT SCALE DWG	SHEET 5 OF 7



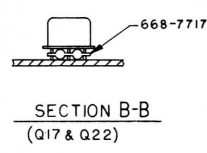
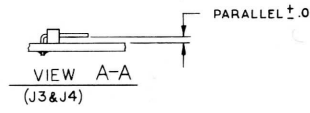
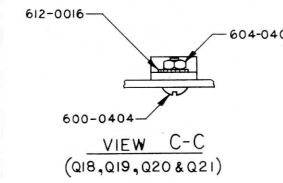
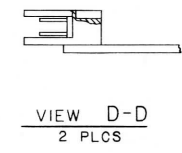
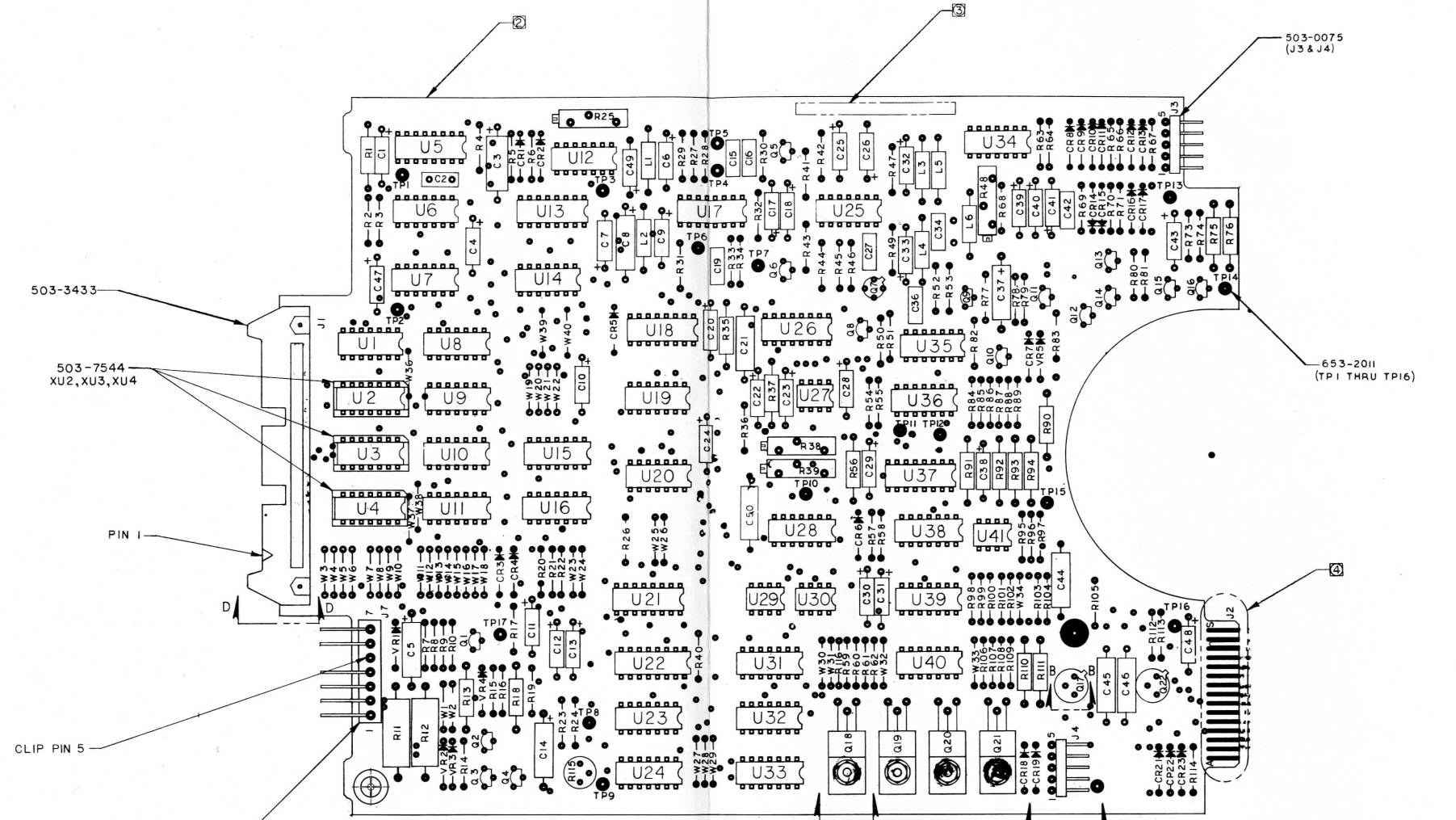
8 7 6 5 4 3 2 1

H
G
F
E
D
C
B
A



SIZE	COOK IDENT NO.	DWG NO.	REV.
E		600265	G
SCALE		DO NOT SCALE DWG	
NONE		SHEET 7 OF 7	

REVISIONS				
REV	DESCRIPTION	DATE	DR	CHK
A	ECN 200 NM POC PADD RELEASE	1/14/74	EC	EC
B	ECN 30A82	4/12/74	EC	EC
C	ECN 30522	5/24/74	EC	EC
D	ECN 30523	5/24/74	EC	EC
E	ECN 9106	1/14/74	EC	EC
F	ECN 9266	1/14/74	EC	EC



SCHMATIC 600265
SPECIFICATION 600269
REF DWGS:

PART NO 600266- REV

- ④ MASK AREAS SHOWN DURING FLOW SOLDER OPERATION.
 - ③ MARK PART NUMBER 600266, VERSION NUMBER AND VERSION ISSUE LETTER IN AREA SHOWN.
 - ② THIS ASSEMBLY SHALL BE MADE FROM PROCESS BOARD 600267-01 REV E AND SUBSEQUENT.
 - 1. ASSEMBLE PER STANDARD MANUFACTURING METHODS.
- NOTES: UNLESS OTHERWISE SPECIFIED

SIGNATURES		DATE
DR	<i>[Signature]</i>	1/14/74
CHK	<i>[Signature]</i>	1/14/74
ENGR	<i>[Signature]</i>	1/14/74
PROJ. ENGR	<i>[Signature]</i>	1/14/74

TITLE		PERTEC PERIPHERAL EQUIPMENT	
PCBA FD		BASIC II A	
MATL	SEE/LM	SIZE	CODE IDENT NO.
		E	600266
NEXT ASSY	1ST USED ON	SCALE	DO NOT SCALE DWG
APPLICATION		2	1

600266

A